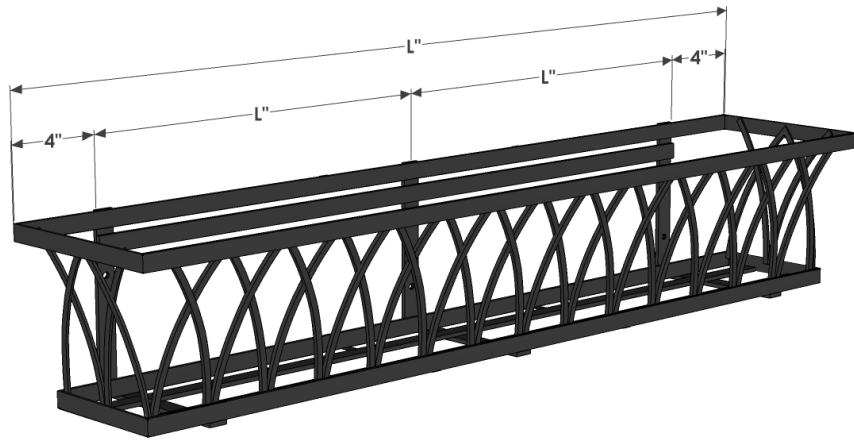
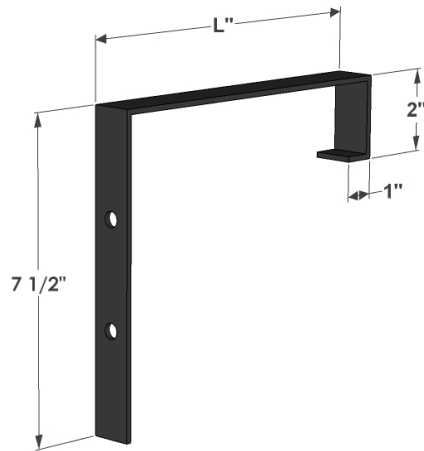


PERSPECTIVE VIEW

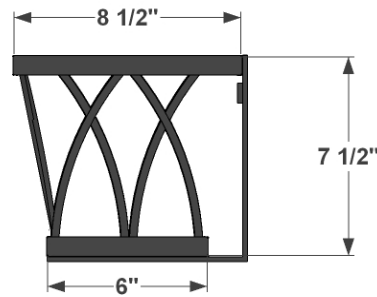


SIZE	L = Actual Dimensions for Liner Fitment
24"	25" Exterior 22" Bottom
30"	31" Exterior 28" Bottom
36"	37" Exterior 34" Bottom
42"	43" Exterior 40" Bottom
48"	49" Exterior 46" Bottom
60"	61" Exterior 58" Bottom
72"	73" Exterior 70" Bottom

RAILING BRACKET PERSPECTIVE VIEW



SIDE VIEW



Wood Rail Bracket Size	L = Length Dimension
2x4	4 x 7 1/2 x 2
2x6	6 x 7 1/2 x 2
2x8	8 x 7 1/2 x 2

GENERAL NOTES

1. Cage Interior Dimensions fit tapered Metal Liners
2. Frame back and bottom supports 3/4" x 1/8" flat bar
3. Mounting Holes: Ø 1/4"
4. 7mm clearance between back bars to allow 1/4" lag bolt to mount anywhere along slot created by bars or in mounting holes
5. Arches: 1/2" x 1/8" thick flat bar
6. Arch must align consistently along length of box
7. Attach metal window box to brackets. Hardware included
8. 60"-72" lengths will come with 2 pairs of brackets



HOOKS & LATTICE

6056 Corte del Cedro, Carlsbad, CA 92011
 sales@hooksandlattice.com
 800-896-0978

PRODUCT DESCRIPTION	SKU				ORDER NUMBER	CUSTOMER SIGNATURE
Arch Decora Railing Planter with Wood Rail Brackets	510RP-X- 415					
DIMENSIONS	COLOR	FINISH	REP:	DB:	DATE	

